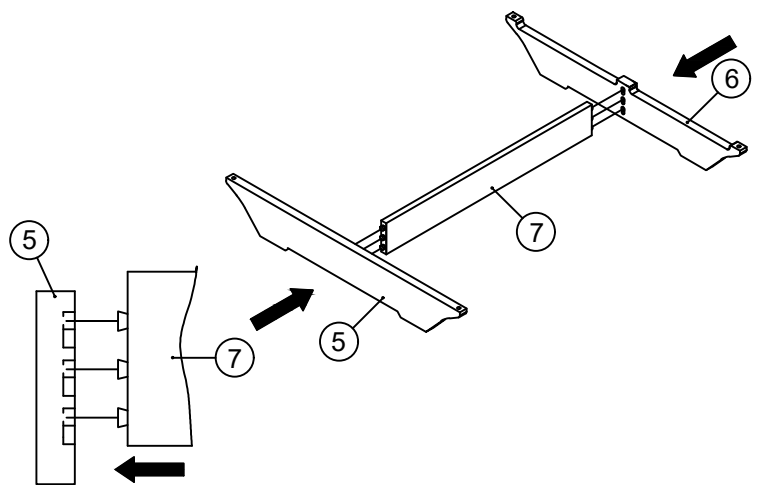
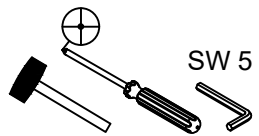
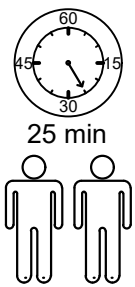
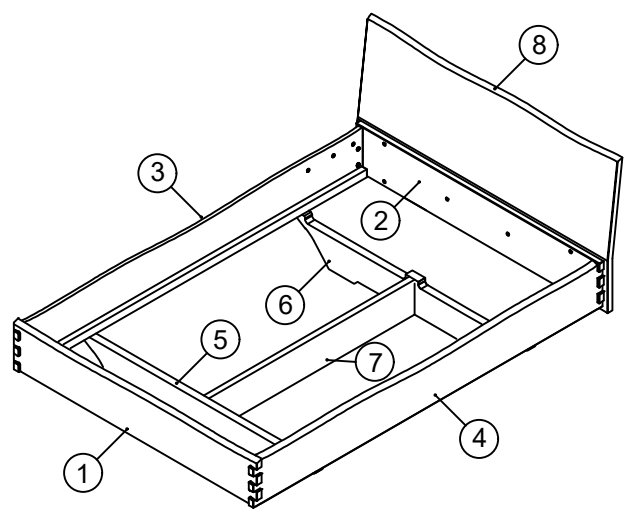
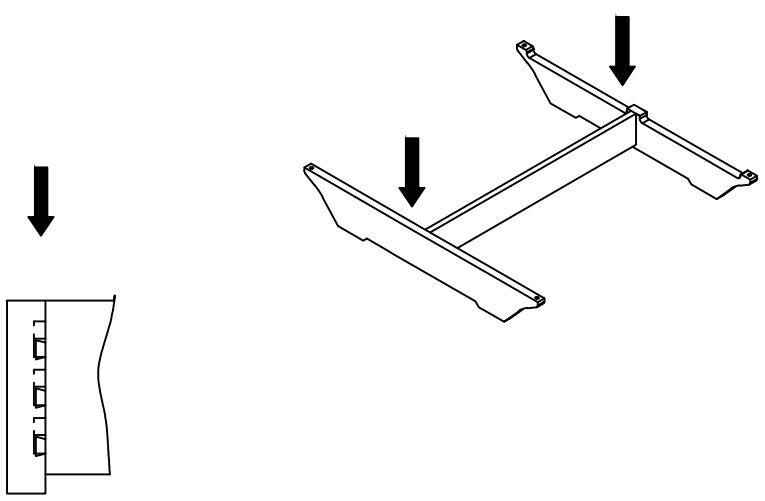


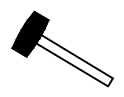
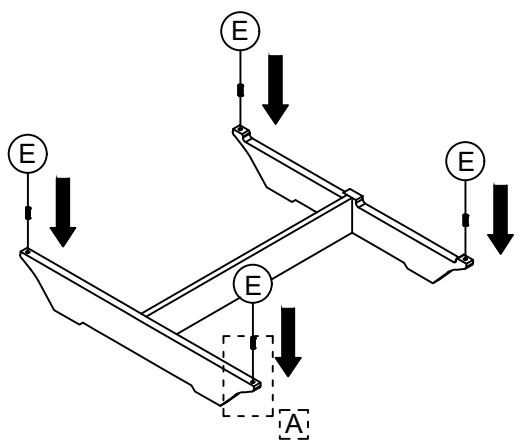
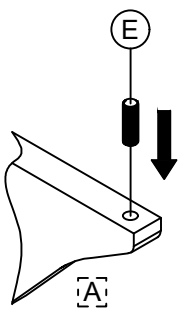
- A $\varnothing 8 \times 46$
8 x
- B $\varnothing 14 \times 17$
8 x
- C M8x10
8 x
- D M8x50
6 x
- E $\varnothing 16 \times 50$
4 x



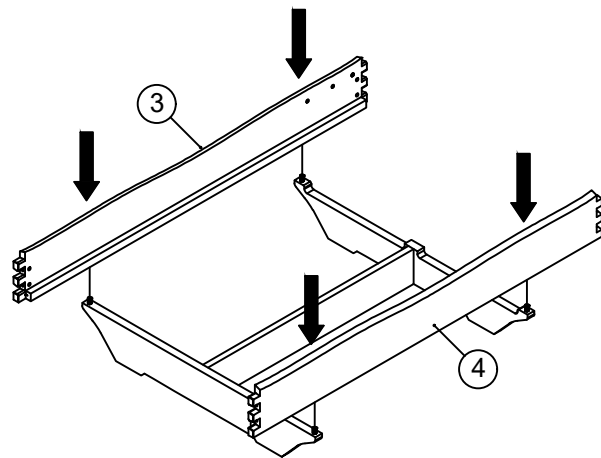
Schwebbett



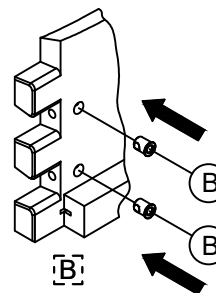
- E $\varnothing 16 \times 50$
4 x



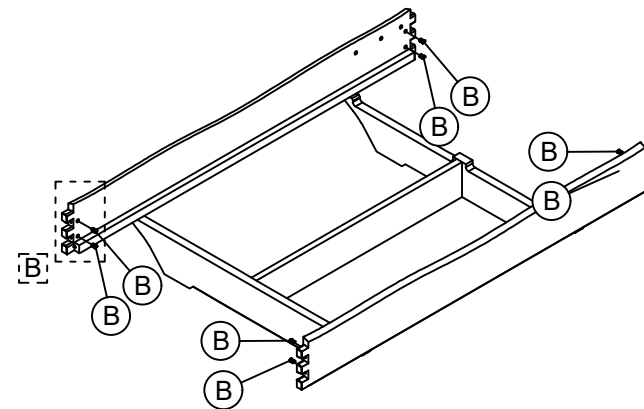
4



B Ø14x17
8 x

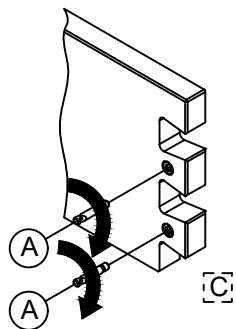
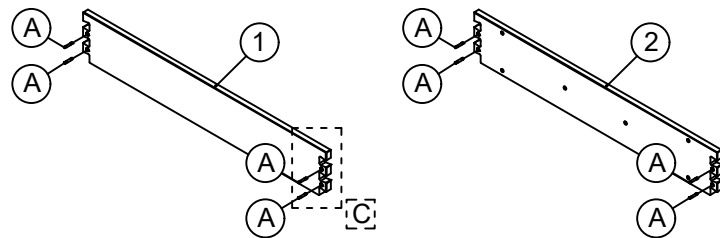


5

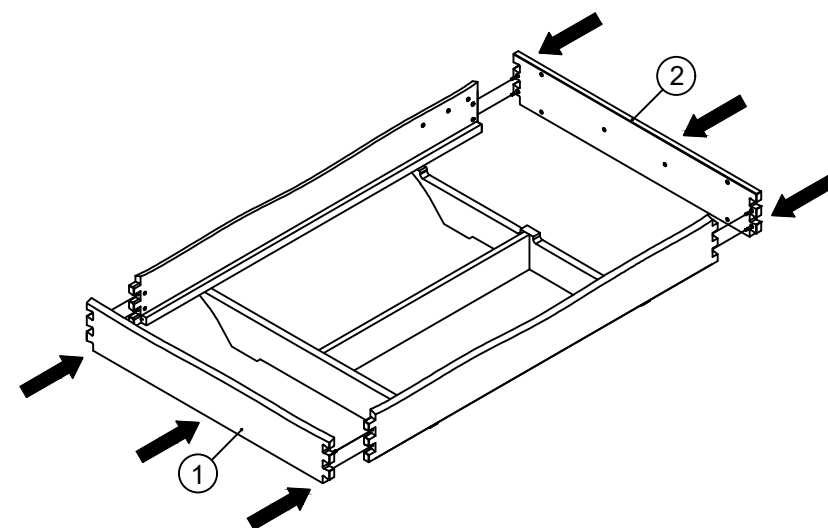


6

A Ø8x46
8 x

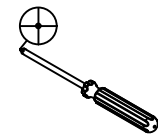
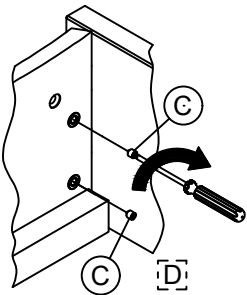
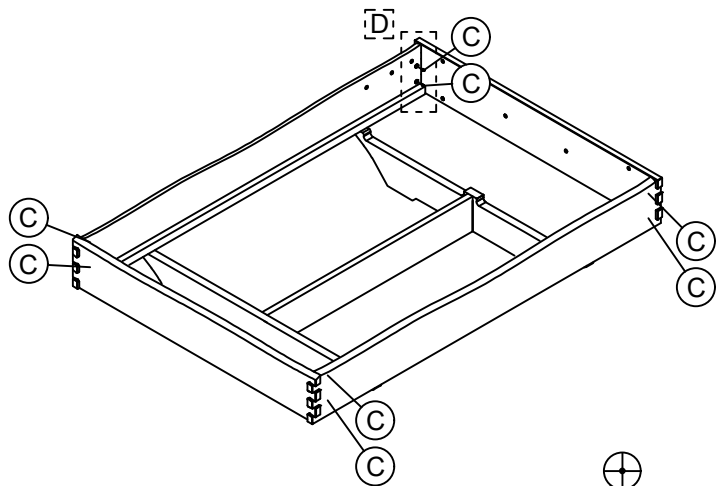


7



C M8x10
8 x

8



D M8x50
6 x

9

